

300.9D

Mini Hydraulic Excavator



Engine

Gross Power (ISO 14396)

13.7 kW

18 hp

Net Power

9.6 kW

13 hp

Weight

Operating weight without Safety frame

935 kg

2,061 lb

Operating weight with Safety frame

985 kg

2,170 lb

Specifications

Operational Data		
Operating weight without Safety frame	935 kg	2,060 lb
Operating weight with Safety frame	985 kg	2,170 lb
Digging force – Stick	4.5 kN	1,011 lbf
Digging force – Bucket	8.9 kN	2,000 lbf

Engine	
Make/type	Yanmar 31NV70
Type	Water cooled model 3-cylinder diesel engine
Maximum engine output	13.7 kW 18 hp
Flywheel output ISO	9.6 kW 13 hp
Displacement	854 cm ³ 52 in ³
Rated speed	2,100 rpm
Battery	12 V, 20 Amp
Diesel tank volume	10 L 2.64 gal

Hydraulic System		
Pumps	2 gear pumps	
Discharge capacity	11.4 + 11.4 L/min (3 + 3 gal/min)	
Operating pressure for the work and travel hydraulics	170 bar 2,466 psi	
Operating pressure pivot	70 bar	1,015 psi
Hydraulic tank capacity	14 L	3.7 gal

Chassis and Swivel Gear		
Travel speed	1.8 km/h 1.12 mph	
Gradeability	30°/58%	
Track width	180 mm 7 in	
Number of rollers per side	2	
Ground clearance	127 mm 5 in	
Ground pressure	0.25 kg/cm ² 3.5 psi	
Machine swing speed	8 rpm	

Operating Specifications		
Stick Length – Standard	890 mm	34.8 in
Machine Overhang	318 mm	12.5 in

Dozer Blade	
Width	700 mm 28 in
Height	200 mm 8 in
Lift height	197 mm 8 in
Dig depth	174 mm 7 in

Noise Emissions	
Sound power level (LWA) (to 2000/14/EG)	93 dB(A)

Lift Force – Standard Stick				
B	A			
	2.0 m (79 in)	2.5 m (98 in)	2.0 m (79 in)	2.5 m (98 in)
	lengthways		crossways	
1.0 m (39 in)	242 (534)	204 (450)	176 (388)	125 (276)
0.5 m (20 in)	272 (600)	203 (448)	169 (373)	122 (269)

A = distance from machine center of rotation

B = load stop height from ground level

- The data [in kg (lb)] is without the excavation tools and is ISO 10567 compliant. Lengthways data with dozer blade support. Neither 75% of the static tipping load, nor 87% of the hydraulic lift forces, are extended.

Standard Equipment

Standard equipment may vary. Consult your Cat dealer for details.

Adjustable vinyl seat
Auxiliary hydraulic circuit, with one-way (hammer) lines to stick

Boom mounted work light
Dozer blade, with side extensions
Ecology drain for hydraulic tank

Hydraulic extending undercarriage
Retractable seatbelt
Rubber belt track, 180 mm (7 in) wide

Optional Equipment

Optional equipment may vary. Consult your Cat dealer for details.

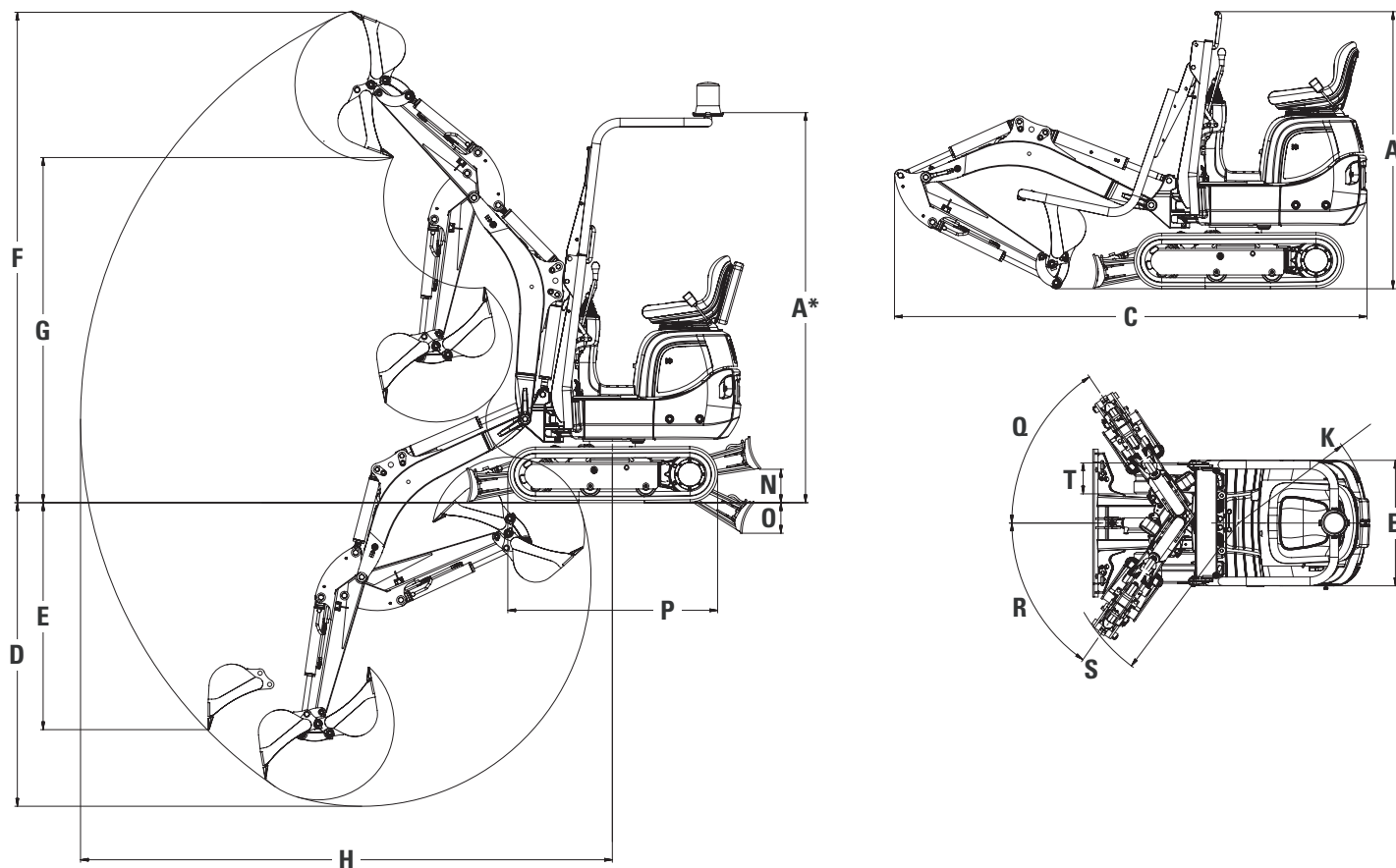
2 way (auger) auxiliary lines to the stick
Bio oil
Buckets: 250 mm (10 in); 350 mm (15 in); 700 mm (2 ft 4 in)

Custom color paint
Front guard
Hammer

Rotating beacon

Dimensions

All dimensions are approximate



A	Height	1507 mm	4 ft 11 in
A*	Height	2276 mm	7 ft 6 in
B	Width	730 mm	2 ft 5 in
	Undercarriage width – Retracted	711 mm	2 ft 4 in
	Undercarriage width – Extended	864 mm	2 ft 8 in
C	Transport length (arm lowered)	2746 mm	9 ft 0 in
D	Maximum digging depth	1731 mm	5 ft 8 in
E	Maximum vertical dig depth	1349 mm	4 ft 5 in
F	Maximum dig height	2863 mm	9 ft 5 in
G	Maximum dump height	2035 mm	6 ft 8 in
H	Maximum reach	3074 mm	10 ft 1 in
	Maximum reach at ground level	3023 mm	9 ft 11 in
K	Tail swing radius	736 mm	2 ft 4 in
N	Maximum dozer lift height	197 mm	8 in
O	Maximum dozer dig depth	174 mm	7 in
P	Length of undercarriage	1220 mm	4 ft 0 in
Q	Boom swing angle (Right)		56°
R	Boom swing angle (Left)		55°
S	Minimum front linkage swing radius	1150 mm	3 ft 9 in
T	Track width	180 mm	7 in

For more complete information on Cat products, dealer services, and industry solutions, visit us on the web at www.cat.com

AEHQ6160-02 (06-2014)
Replaces AEHQ6160-01

© 2014 Caterpillar
All rights reserved

Materials and specifications are subject to change without notice. Featured machines in photos may include additional equipment. See your Cat dealer for available options.

CAT, CATERPILLAR, SAFETY.CAT.COM, their respective logos, "Caterpillar Yellow" and the "Power Edge" trade dress, as well as corporate and product identity used herein, are trademarks of Caterpillar and may not be used without permission.

